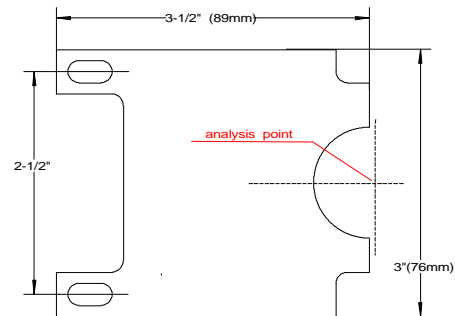


Part number : 4055



Mechanical specifications:

Analysis point is located at 1/16" from sensor's edge.
Capacity - 10 bits / channel
Two mount holes have 1/2" width.
USB cable has 6' length.



Software kit :

- 1. Device driver for Windows 98
- 2. Application program
- 3. Calibration program
- 4. Instruction file

To install the driver plug the surface sensor into your USB port and follow instructions

To install the From START menu choose RUN and type A:\SETUP.EXE

